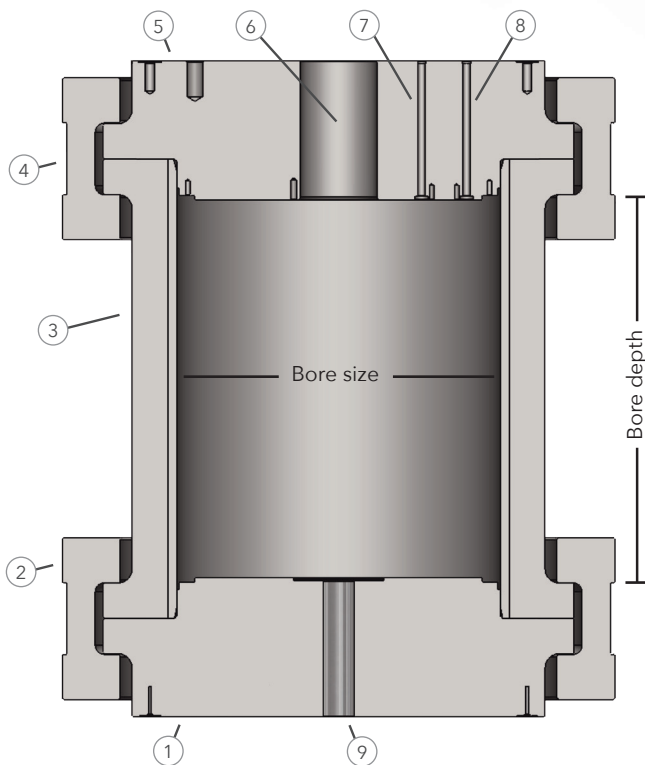
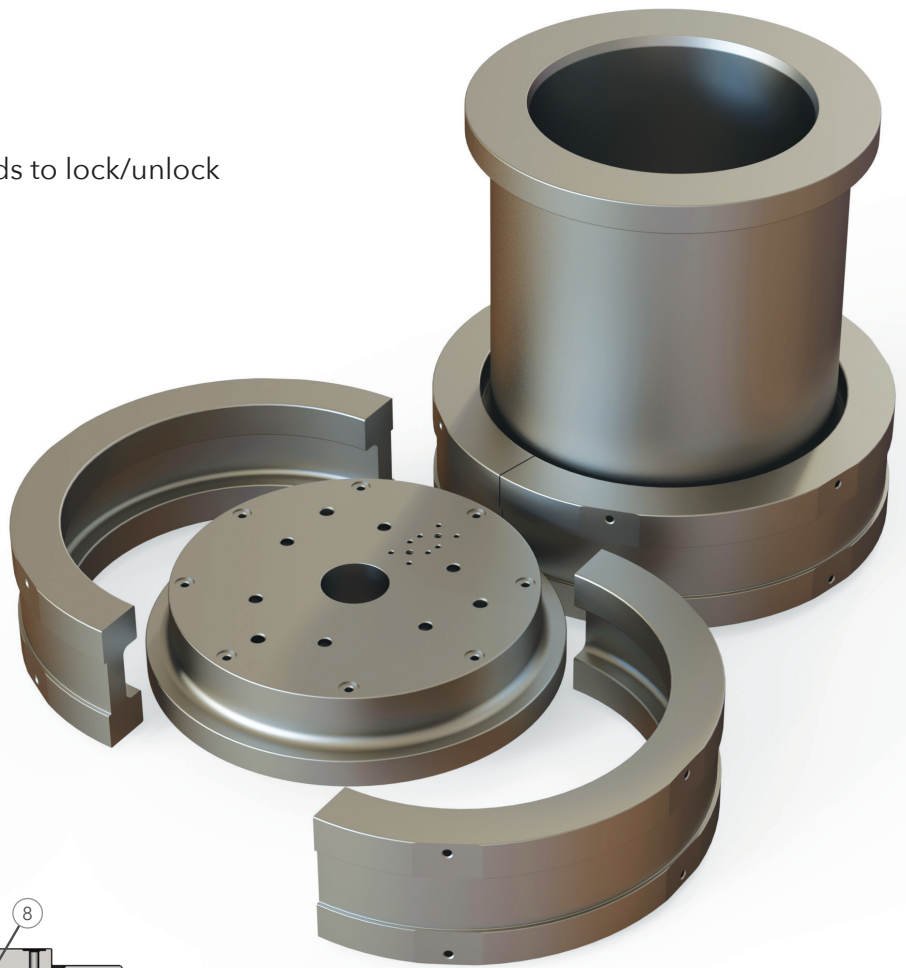


SEGMENTED CLAMP CLOSURE PRESSURE VESSELS

FEATURES

- Quick-acting closure
- 2 minutes to open/close, 10 seconds to lock/unlock
- Integral Safety Lock System; prevents accidental opening
- Relatively low weight closure plug
- Allows good access into vessel
- Low maintenance requirements
- Sealing elements easy to service and maintain
- Vertical in orientation providing minimal shop floor footprint
- Practical for short or long term testing applications
- Available in all material grades



- | | | |
|--------------------|-------------------|-------------------|
| ① Closure (bottom) | ④ Segmented Clamp | ⑦ Feed Through |
| ② Segmented Clamp | ⑤ Closure (top) | ⑧ Purge Port |
| ③ Body | ⑥ Tooling Port | ⑨ Fill/Drain Port |

PARAMETERS

Pressure	50 bar to 2000 bar
Temperature	-20°C to 300°C
Bore size	Ø75mm to Ø400mm
Bore depth	150mm to 2000mm
Volume	0.5 litre to 250 litre
Ports	Customer specific
Material of Construction	Customer specific

Custom solutions are available to meet specific requirements. Please contact our engineering and technical support who will help you identify the specific options you need.